

DATA SHEET



CRUSHER

K-JC 503



500 x 300 mm
19 x 10 inch



Up to 30 tph
34 US tph



20 to 80 mm
3/4 to 3-1/4 inch



Stage V 18.5 kW
25 Hp Diesel

Tier 4F 18.5 kW
25 Hp Diesel

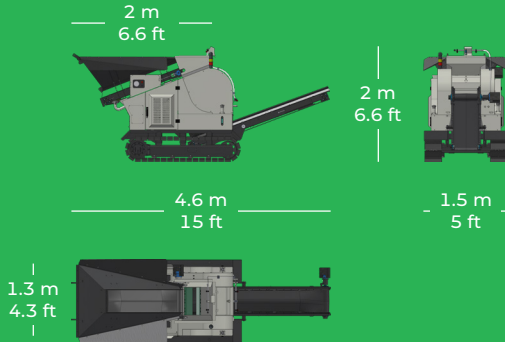
Stage 3A 21.5 kW
28 Hp Diesel



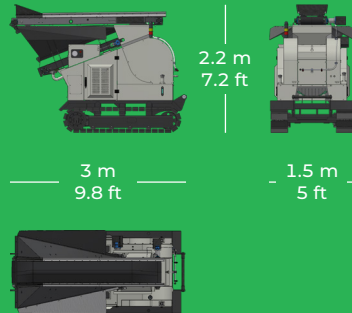
3,400 kg
7,496 lb

Komplet.it

WORKING AND TRANSPORT



TRANSPORT OPTION



FEATURES AND BENEFITS

- Quick set-up time typically under 15 minutes.
- Hydraulic jaw adjustment.
- Available as rubber track or trailer EU versions.
- Variable speed hopper.
- Remote control for all function.
- Reversible jaw plates (2 “plates”).
- Direct drive chamber.



Komplet S.p.a.

Via Antonelli, 49 60012 Trecastelli (AN) Italy

✉ info@komplet.it

☎ +39 071 6609823

VAT 02035890421

